



SHREDS LEAVES,
GRASS
CLIPPINGS,
PINE NEEDLES ...

OWNER'S MANUAL

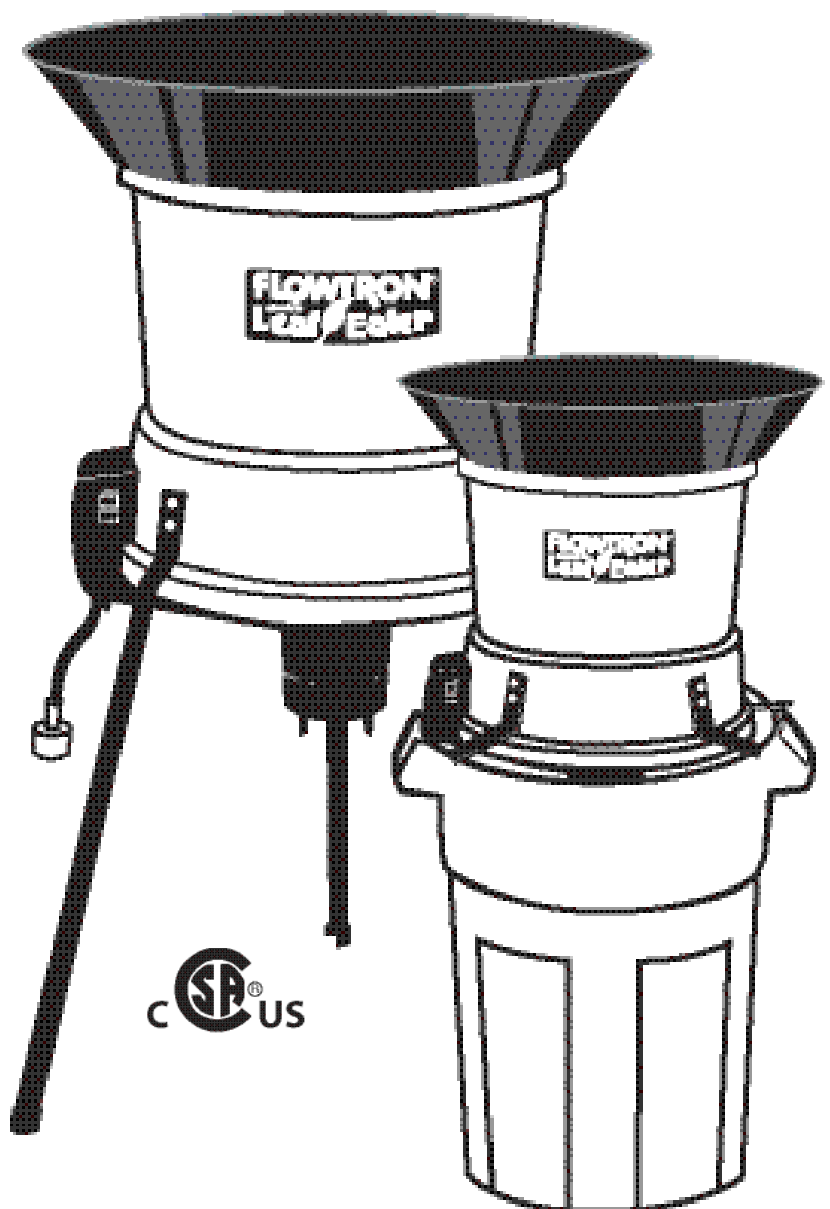
MODEL
LE-800B

- Assembly
- Operation
- Maintenance
- Repair Parts



WARNING

Carefully read and follow safety rules, precautions and operating instructions. Failure to do so can result in serious personal injury.



Instructions given with this symbol are for personal safety. Be sure to follow them.

Always Wear Eye Protection During Operation

Flowtron Leaf-Eater One Year Limited Warranty

Flowtron, division of Armatron warrants your Leaf-Eater to be free from defects in materials or workmanship under normal use and service for one year from date of the original purchase. All parts which are defective will be repaired or replaced free of charge. Any implied warranties, including the implied warranty of merchantability are also limited in duration for one year from the original purchase date. Some states do not allow limitations on how long an implied warranty lasts, so the above limitations may not apply to you.

The provisions of this warranty shall not apply to any Leaf-Eater which has been subject to misuse, neglect or accident, nor which is used for a purpose for which it is not designed, or which shall have been repaired or altered in any way so as to adversely affect its performance and reliability. Service by unauthorized parties voids your warranty. Warranty covers only the original purchaser. Commercial and/or professional use is excluded from warranty coverage.

Flowtron neither assumes nor authorizes any person to assume for it any other liability in connection with its products. No responsibility is assumed for any consequential damages that may result from the use of a Flowtron product, not for damages due to accident, abuse, lack of responsible care, the affixing of any unauthorized attachments, loss of parts or subjecting this unit to any but the specified voltage. Some states do not allow the exclusion or limitation of the incidental or consequential damages, so the above limitation or exclusion may not apply to you.

This warranty gives you specific legal rights, and you may also have other rights which vary from state to state.

Flowtron Outdoor Products, 15 Highland Ave., Malden, MA 02148 • an ARMATRON company

Flowtron Outdoor Products
15 Highland Ave, Malden, MA 02148 • an ARMATRON company
781-321-2300 • www.flowtron.com

KNOW YOUR FLOWTRON LEAF-EATER

A. Introduction

Your Flowtron Leaf-Eater is a quality built product that is designed to provide you with a unit that is not only affordable, but will perform with a minimum of care and maintenance.

Special Features Include:

- Powerful universal electric motor
- Runs on normal household current
- Easily moved from place to place
- Can be used on a container or free standing on its own legs (included with unit)
- Easily replaceable cutting cords with extras supplied with each unit.

B. Unpacking Instructions

Your unit has been carefully packed at the factory to prevent damage during shipment and storage.

Carefully unpack the carton as follows:

1. Remove contents from carton
2. Check parts against list shown.
3. Examine for damage

| Carton Contents | | |
|-----------------|------------------------|------|
| Key # | Description | Qty. |
| 1 | Funnel | 1 |
| 2 | Upper Housing | 1 |
| 3 | Lower Housing Assembly | 1 |
| 4 | Legs | 3 |
| 5 | Hardware Package | 1 |
| 6 | Owner's Manual | 1 |

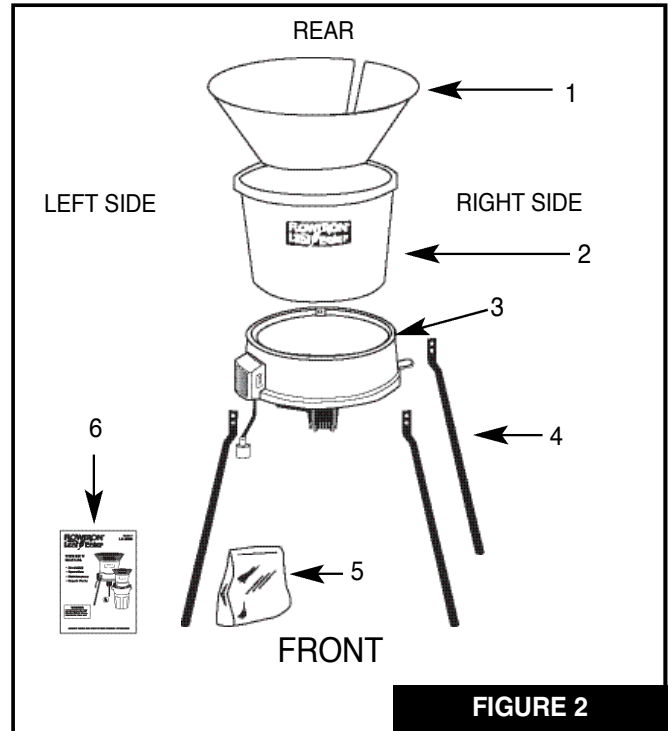


FIGURE 2

ASSEMBLY

A. Preparation

Your owner's manual has been developed to help you assemble the unit and to understand its safe operation. It is important that you read your manual completely to become familiar with the unit before you begin assembly.

1. Read your owner's manual
2. Tools you will need:

#2 Phillips Head Screwdriver



3/8" Nut Driver



| Hardware Bag Contents: | | |
|------------------------|-----------------------------------|------------|
| Qty. | Description | Looks Like |
| 3 | Container Mounting Bracket | |
| 3 | Stud Plate | |
| 2 | Screw, Pan Head, 10-32 x 3/8" | |
| 3 | Screw, Sht. Mtl., #10 x 5/8" | |
| 4 | Screw, Sht. Mtl., #10 x 1/2, Blk. | |
| 8 | Hex Nut, Self-Lock, 10-32 | |
| 4 | Washer, #10 | |
| 3 | Tinnerman Clips | |
| 3 | Leg Caps | |
| 36 | Cutting Lines | |

ASSEMBLY (continued)

1. Assembling Legs or Mounting Brackets

To install the three legs or the three mounting brackets, align the three stud plates with the six mating holes in the lower housing. Fasten the legs or brackets with the six #10 - 32 self-locking hex nuts as shown in Figures #3 or #4. When using the legs, slip the three leg caps onto the end of each leg.

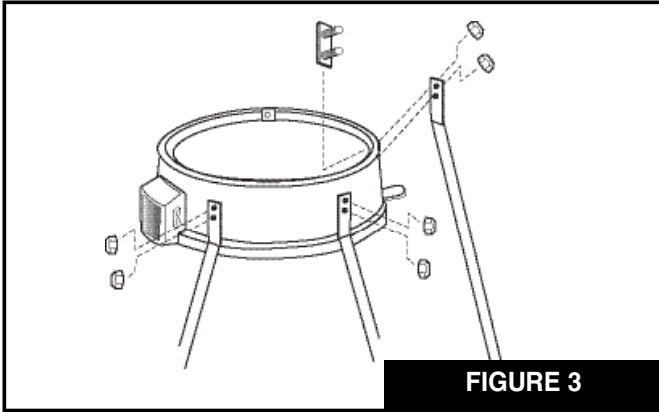


FIGURE 3

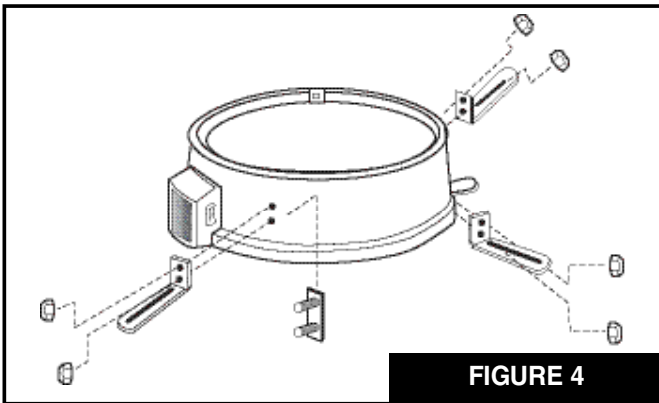


FIGURE 4

2. Assemble Upper and Lower Housing

Install the three Tinnerman Clips onto the edge of the Lower Housing in areas provided. Place both Upper Housing and Lower Housing upside down and align the slot in the edge of the Upper Housing with the tab on the Lower Housing. Push the Lower Housing down until it is seated firmly in the Upper Housing. Position the assembly in the upright position and fasten both housings together using the three #10 x 5/8" sheet metal screws as shown in Figure #5.

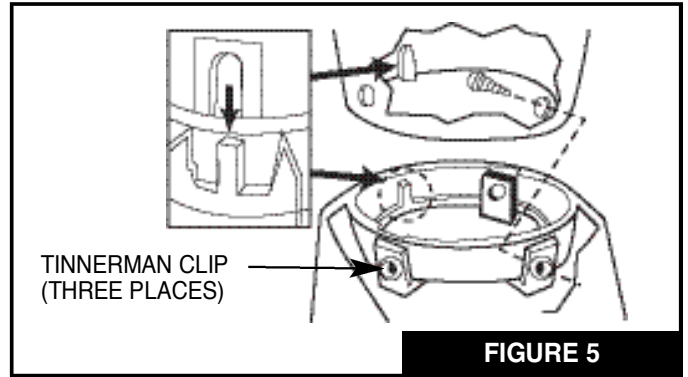


FIGURE 5

3. Assemble Funnel

Assemble funnel with tabs on outside and screw together in two places using 10-32 x 3/8" screws and 10-32 hex nuts. Place screw heads on inside with nuts on outside.

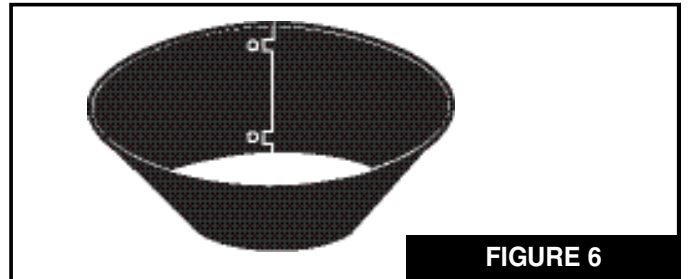


FIGURE 6

4. Attach Funnel to Upper Housing

Align four (4) holes in Funnel with four holes in Housing and fasten securely using four #10 x 1/2" screws and #10 flat washer as shown in cutaway view in figure 7.

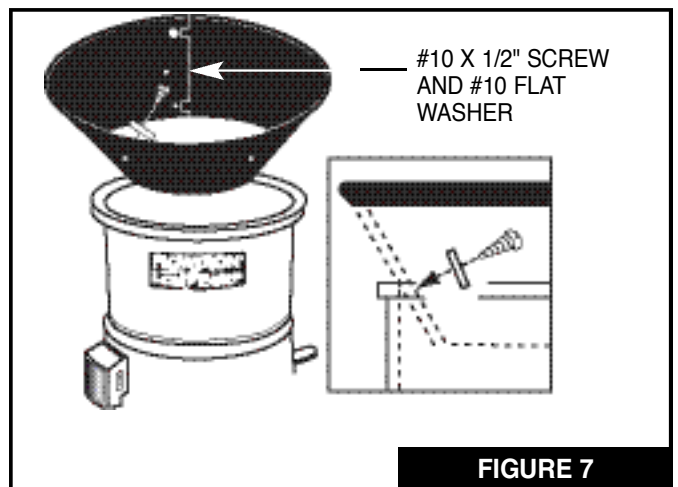


FIGURE 7

SAFETY RULES AND PRECAUTIONS

Warning: To reduce the risk of fire, electric shock, and personal injury, the following basic safety precautions should always be followed.



READ ALL INSTRUCTIONS

1. Become familiar with all sections of this owner's manual before attempting to operate the shredder. This shredder should be used solely for the purpose it was intended.
2. Use only parts or accessories specifically designed for use with this shredder. Using other parts or accessories could increase risk of injury.
3. Keep Children Away – all visitors should be kept at a distance from the work area.
4. Never allow your hands or any part of your body or clothing inside the upper housing area.
5. Avoid Dangerous Environments – do not use shredder in damp or wet locations. Do not operate or store shredder in wet areas. Do not operate in rain. Store indoors when not in use, in a dry, and high or locked-up place — out of reach of children.
6. This shredder should be operated on a solid, level surface.
7. Dress Properly – do not wear loose clothing or jewelry. They can be caught in moving parts. Use of work gloves and substantial footwear is advised when working outdoors. Wear protective hair covering to contain long hair.
8. Stay Alert – Watch what you are doing. Use common sense. Do not operate shredder when you are tired.
9. Do not Abuse Power or Extension Cords – Never carry unit by its power cord or yank cord to disconnect from receptacle. Keep all cords clean and away from heat, oil and sharp edges and inspect for damage before each use.
10. Ground unit properly. Follow instructions on page 7 when connecting to electrical outlet.
11. Warning – To reduce the risk of electrical shock, use only an extension cord intended for outdoor use. See page 7 for additional information on extension cords.
12. Ground fault circuit interrupter (GFCI) protection should be provided on the circuit(s) or outlet(s) to be used for this shredder. Receptacles are available having built-in GFCI protection and may be used for this measure of safety.
13. If it is necessary for any reason to inspect, clean or repair the shredder, turn the shredder off and wait until it comes to a complete stop, then disconnect the power cord before attempting such inspection or repair.
14. Disconnect shredder from the power source when not in use, before servicing, and when changing cutting lines.
15. When feeding material into the shredder be extremely careful that pieces of metal, rocks, bottles, cans or other foreign objects are not included.
16. Do not force the shredder. It will do the job better and with less likelihood of a risk of injury when used at the rate for which it was designed.
17. If the cutting mechanism strikes a foreign object or if your shredder should start making an unusual noise or vibration, immediately switch it off, wait until the shredder has come to a complete stop, then disconnect the power cord and take the following steps:
 - A. Remove any foreign or clogged material.
 - B. Check for any loose parts and tighten to assure continued safe operation
 - C. Replace or repair any damaged parts.
18. Avoid unintentional starting. Be sure switch is off when plugging in the shredder.
19. Always use safety glasses and face or dust mask if operation is dusty.
20. Check discharge area periodically after stopping shredder to assure the processed material does not build up and clog motor cooling vents.
21. Do Not Overreach – keep proper footing and balance at all times.
22. Do not move shredder when motor is running or with finger on the switch.
23. Maintain Shredder With Care – Follow instructions for replacing cutting lines and for cleaning air filter. Inspect shredder power cord periodically, and if damaged, have it repaired by an authorized service facility. Keep handles dry, clean, and free from oil and grease.
24. Check Damaged Parts – Before further use of the shredder, any part that is damaged should be carefully checked to determine that it will operate properly and perform its intended function. Check for alignment of moving parts, binding of moving parts, breakage of parts, mounting, and any other condition that may affect its operation. A guard or other part that is damaged should be properly repaired or replaced by an authorized service center unless indicated elsewhere in this manual.

SAVE THESE INSTRUCTIONS

ELECTRICAL REQUIREMENTS

Important: Use a 14 ga. or heavier extension cord with a maximum length of 100 ft.

Grounding Instructions

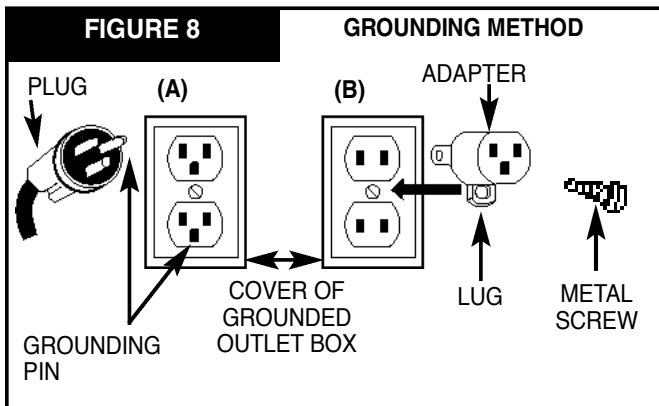
This shredder should be grounded while in use to reduce the risk of electric shock to the operator.

The shredder is equipped with a three-conductor cord and three-prong grounding plug. The green or green and yellow conductor in the cord is the grounding wire. Never connect the green or green and yellow wire to a live terminal.

The shredder is intended for use on a circuit that has a grounded outlet box that looks like the one illustrated in figure 8, sketch A.

An adapter which looks like the adapter illustrated in figure 8, sketch B is available for connecting three-prong plugs to two-prong receptacles. The green colored rigid ear, lug, or the like on the adapter, must be connected to a permanent ground, such as a properly grounded outlet box, using a metal screw.

Check with a qualified electrician or serviceman if the grounding instructions are not completely understood, or if in doubt as to whether the shredder is properly grounded.



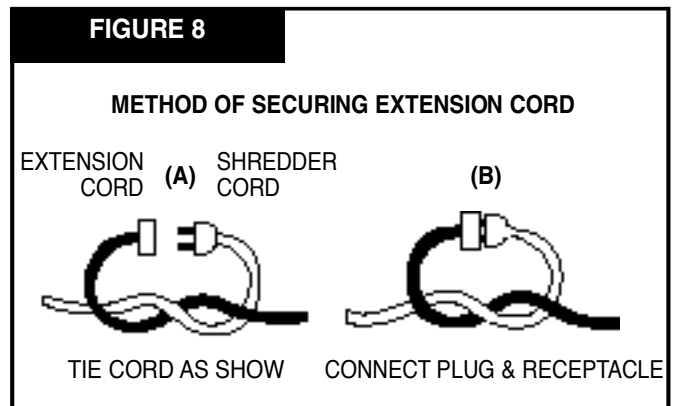
Extensions Cords

Only use three-wire extension cords that have three-prong grounding plugs and three-hole receptacles that accept the shredder's plug. When using an extension cord, make sure that it is in good condition.

Use a 14 ga. or heavier extension cord with a maximum length of 100 ft. An undersized extension cord will cause a drop in line voltage resulting in loss of power and overheating.

Warning – To reduce the risk of electric shock, only use extension cords intended for outdoor use, such as cord types SW-A, SOW-A, STW-A, STOW-A, SJW-A, SJOW-A, SJTW-A or SJTOW -A.

To prevent disconnection of the shredder cord from the extension cord during operation, make a knot as shown in figure 9. Devices for retaining extension cords are also available at your local hardware retailer.



MOTOR INFORMATION

1. On/Off Switch

The On/Off switch is located on the side of the Lower Housing. To turn unit on push switch to "On" position, see figure 10. To turn unit "Off" push switch down to "Off" position, see figure 10.

2. Circuit Breaker/Reset Button

The circuit breaker/reset button is located on the lower, outside front of the motor housing as shown in figure 10. The unit is designed to shut down in the event of an overload. To restart, place on/off switch in "off" position, push reset button, wait approximately three minutes and then place switch in "ON" position.

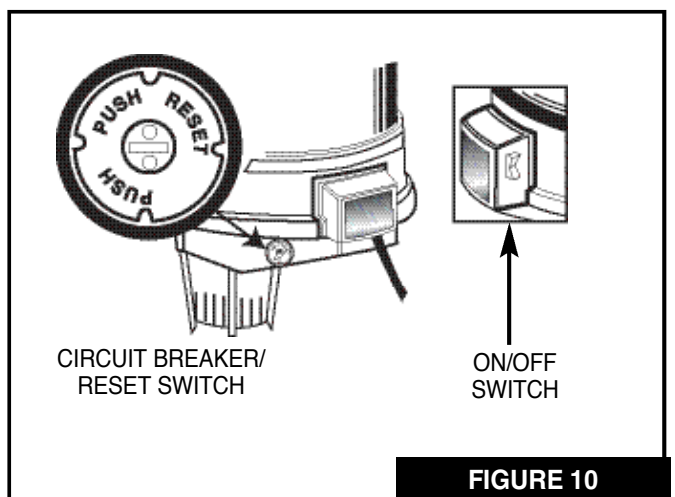


FIGURE 10

SAFE OPERATING INSTRUCTIONS

Your Flowtron Leaf-Eater can be hazardous if improperly or carelessly used.

The instructions and figures shown below demonstrate the right way to use your machine.

Read and understand the operating instructions before you operate your machine. Always use safe and cautious operating methods.

Please remember the operating and safety instructions have been written for your use. Failure to read all instructions may result in injury.

Be sure you have read "Rules for Safe Operation" before proceeding.

CAUTION

Disconnect power cord from extension cord before moving machine from one location to another location.

1. Moving Your Unit

Disconnect the power cord from the extension cord or power source, grasp the unit along the ridge on the Upper Housing, lift and move to wherever you choose.

CAUTION

Wear Safety Glasses when operating this machine.

2. Loading Your Machine

With the machine running, feed double handfuls of dry leaves, or single handfuls of wet leaves, into the hopper. Allow the machine to shred the load completely and regain speed before reinserting the next load. Do not overload the machine by letting it labor at low speed: this will cause the circuit breaker to shut the motor off. If this happens, turn the switch off, unplug the machine, clear the unshredded material from the hopper, reset the breaker and continue with your shredding.

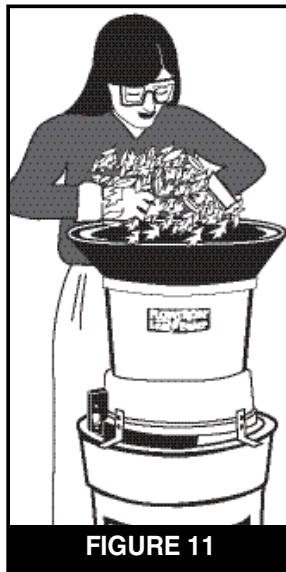


FIGURE 11

CAUTION

Do not operate your machine without the funnel attached.

3. Mulching Control Lever

The Control Lever, see figure 12, controls the particle size and speed at which material goes through the unit. With the Control Lever in the Coarse position, material will process through the unit faster but will give you a larger particle size than if the lever were in the Fine position. The Fine position setting will discharge material slower but will give the smallest particle size.

Fine: 30-1 Medium: 15-1 Coarse: 8-1



FIGURE 12

4. Circuit Breaker

This machine is equipped with a circuit breaker that is designed to shut off the machine in the event of an overload. To restart your machine after the circuit breaker activates, place On/Off switch to the "Off" position, push in on the Reset Button, figure 13, and wait for approximately three minutes. After three minutes place the On/Off switch to the "On" position and continue to operate.

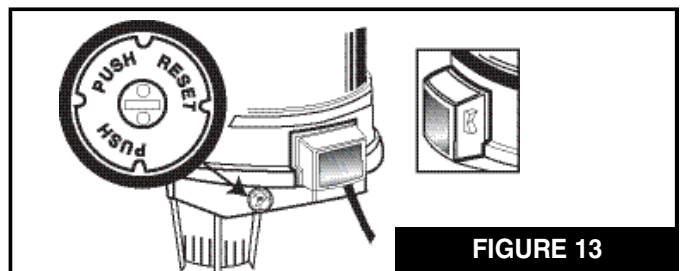


FIGURE 13



Do not allow shredded material in trash container or leaf bag to reach bottom of motor housing. A reduction in airflow will result and may cause permanent damage to your motor

MAINTENANCE

⚠ CAUTION

Disconnect power cord from power source before attempting any maintenance.

1. Cleaning Your Unit

Your unit requires a minimum of maintenance other than cleaning. It is recommended that you clean out built-up residue from inside the Housing area, and from between Mulching Discs during and after each use. Also tighten all nuts, bolts and screws periodically. Replace cutting line as often as necessary, see below, and clean Air Filter frequently, see figure 15. Any other maintenance or repairs should be performed by an authorized Flowtron Service Station.

2. Removal/Replacement of Cutting Line

Your unit is supplied with six strips of six (6) cutting lines each (for a total of 36 cutting lines). To separate individual lines simply pinch the indent between lines nearest strip end and peel away.

Replace cutting cord when a noticeable decrease in shredding efficiency is observed. To remove used cutting lines pull used line out of the spinner head inside the housing. To install new cutting lines place each end of new line through the two holes in the post on top of the spinner head and pull through so that both ends of the line are even. Thread lines through the two ferrules on the side of the spinner head and pull tight so that ends are even.

See figure 14.

WARNING: Use only .080 diameter monofilament cord 12 3/4" long. Use of thicker lines, lines made of substitute materials, or lines greater than 12 3/4" long **MAY RESULT IN PERMANENT DAMAGE TO YOUR MOTOR AND/OR INJURY.**

Note: LER-100 Cutting Line Kit for model LE 800 contains 12 replacement lines and may be purchased from your local dealer. If not available, order direct from Flowtron Outdoor Products or on line at www.flowtron.com.

3. Removal/Cleaning Air Filter

The Air Filter is located on the side of the Lower Housing by the On/Off switch. To remove push down and out on the tab on top of the Filter Cover, see figure 15. Remove Air Filter and rinse with clear water and air dry. Replace Air Filter before using machine.

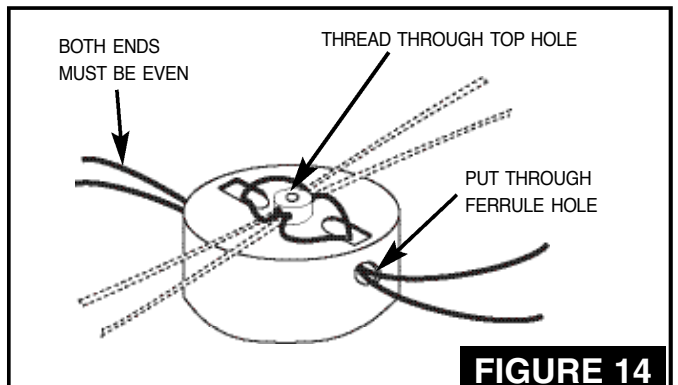


FIGURE 14

Important

Do not attempt to run or use your machine with the Air Filter removed. Check frequently to insure that the Air Filter is clean. Always disconnect the power cord prior to removing Air Filter.

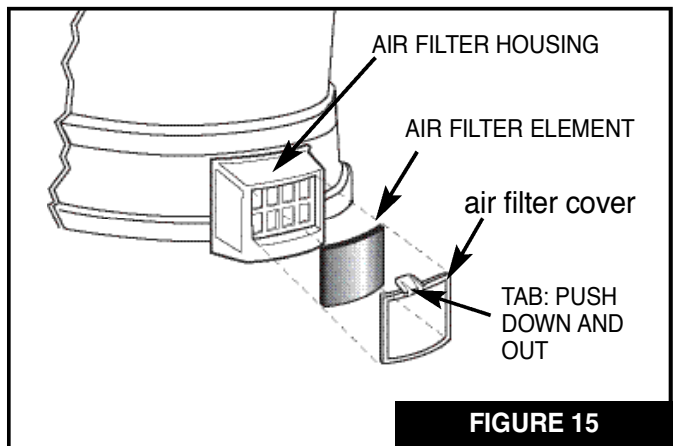
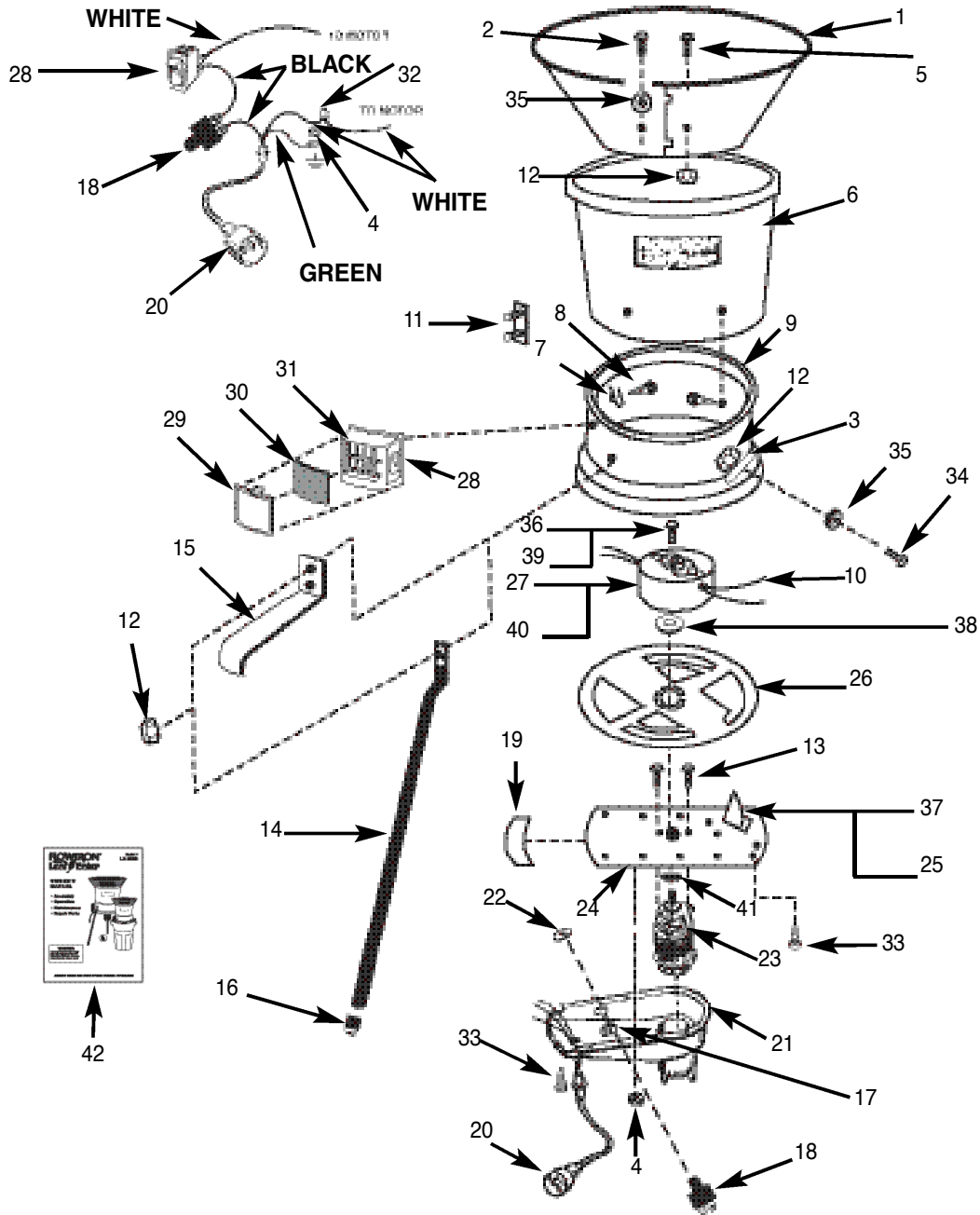


FIGURE 15

| Symptom | Trouble Shooting Problem | Correction |
|---|--|---|
| Motor will not start | No electric power. | Check to be sure power cord is connected to the power source. |
| | Circuit breaker has tripped. | Clean filter and residue inside housing. |
| No cutting action. | Cutting line is worn or residue is built-up inside of housing. | Replace cutting line with new line. Clean out built-up residue in housing. |
| Motor does not sound like it is running properly. Circuit breaker trips. | Air filter is dirty. Unit bound with debris. | Remove and clean air filter. Clean unit. |

FLOWTRON EXPLODED VIEW OF LE-800B



| Ref. # | Part # | Description | Qty. | Ref. # | Part # | Description | Qty. |
|--------|--------------|--|------|--------|--------------|--|------|
| 1 | 355 1672 | FUNNEL | 1 | 22 | 345 3501 | PANEL NUT, CIRCUIT BREAKER | 1 |
| 2 | 245 6237 P40 | SCREW, SHT. MET., PAN HD., PHIL, #10 x 1/2, BLK. | 4 | 23 | 379 3449 | MOTOR | 1 |
| 3 | 355 3103 | DISK SUPPORT | 3 | 24 | 305 3395 | MOUNTING PLATE ASSEMBLY, MOTOR | 1 |
| 4 | 245 6269 P06 | HEX NUT, 10-32, SELF-LOCK | 8 | 25 | 566 399 | POP RIVET, 1/8" | 2 |
| 5 | 245 6225 P51 | SCREW, PAN HD., PHIL, BLACK, 10-32 x 3/8 | 2 | 26 | 355 3096 | MULCHING DISC | 1 |
| 6 | 355 1305 | UPPER HOUSING | 1 | 27 | 305 1779 | SPINNER HEAD ASSEMBLY | 1 |
| 7 | 345 1316 | TINNERMAN CLIP | 3 | 28 | 394 3014 | SWITCH, ON/OFF | 1 |
| 8 | 245 6236 P41 | SCREW, SHT. MTL. #10 x 5/8" | 3 | 29 | 355 1304 | FILTER COVER | 1 |
| 9 | 305 3530 | LOWER HOUSING ASSY. | 1 | 30 | 367 1884 | FILTER ELEMENT | 1 |
| 10 | 396 2877 p01 | CUTTING LINE | 2 | 31 | 355 1303 | FILTER HOUSING | 1 |
| 11 | 305 3399 | STUD PLATE | 3 | 32 | 595 1506 | WIRE NUT | 1 |
| 12 | 245 6269 P33 | HEX NUT, 10-32, BLACK, SELF-LOCK | 11 | 33 | 245 6245 P28 | SCREW, SHT. MET., HEX HD., #8 x 1/2" | 3 |
| 13 | 345 2978 | SCREW, PHIL, HD, #10-24 x 3/8 | 2 | 34 | 245 6225 P54 | SCREW, PAN HD., PHIL, BLACK 10-32 x 3/4" | 3 |
| 14 | 368 3392 P1 | LEG | 3 | 35 | 245 6272 P24 | FLAT WASHER, BLACK, #10 | 7 |
| 15 | 352 3430 PL5 | CONTAINER MOUNTING BRACKET | 3 | 36 | 345 3512 | NYLON SCREW | 1 |
| 16 | 596 494 | LEG CAP | 3 | 37 | 352 3149 | CUTOFF BLADE | 1 |
| 17 | 355 3105 | SPACER, CIRCUIT BREAKER | 1 | 38 | 345 1683 | JAM WASHER, SPINNER | 1 |
| 18 | 394 3511 | CIRCUIT BREAKER | 1 | 39 | 567 4675 | "O" RING (NOT SHOWN) | 1 |
| 19 | 367 1429 P01 | MOTOR PLATE SEAL | 1 | 40 | 369 1689 | INSERT, SPINNER (NOT SHOWN) | 1 |
| 20 | 312 2517 | POWER CORD | 1 | 41 | 567 9929 | "O" RING | 1 |
| 21 | 355 2062 | MOTOR DUCT | 1 | 42 | 357 3389 | OWNER'S MANUAL | 1 |